

MASSACHUSETTS INSTITUTE OF TECHNOLOGY

HAYSTACK OBSERVATORY

WESTFORD, MASSACHUSETTS 01886

Telephone: 978-692-4764

Fax: 781-981-0590

23 January 2002

TO: Distribution
FROM: Alan R. Whitney
SUBJECT: 14 January 2002 e-VLBI telecon summary

Attendees:

Pat Gary, Chuck Kodak, Kevin Kranacs, Paul Lang, Bill Wildes – GSFC
Steve Bernstein, Lorraine Prior – Lincoln Laboratory
Richard Crowley, Kevin Dudevior, Hans Hinteregger, Joe Salah, Alan Whitney – Haystack Observatory

This telecon is one of an ongoing series of telecons to prepare for gigabit/sec e-VLBI demonstrations between NASA GSFC and MIT Haystack Observatory using a combination of network facilities including all or part of GlowNet, Bossnet, ISI-E, SuperNet, Max and GSFC/HECN.

Status Reports

The attached figures of the e-VLBI path have been updated to reflect current status and is pretty much self-explanatory; critical status items are indicated in red. In addition, the following comments are relevant:

- Haystack has ordered Gbics for LL Summit 5i switches (which have since been delivered to Haystack and will be transferred to LL).
- Connection C2 at Millstone RPE building is awaiting completion of a major LL demo at end of this month; C2 will be put in place shortly thereafter.
- Haystack will send a test workstation (Dell Poweredge 500SC) to LL in next week or so; a ‘public’ account will be set for e-VLBI test purposes. This will allow testing ‘from the south’, but not yet from Haystack until link C2 is put in place, though 10/100 Ethernet link may be installed (Lorraine)
- Bossnet/ISI-E link upgrade to Juniper M20 and OC-48 delayed until after LL demo at end of Jan
- WDM link from MAX/UMCP to GSFC should be in place within a week (now is place _ 23 Jan).
- Summit 5i and workstation for GGAO (L2 and L3 in diagrams) will be placed in GSFC Bldg 28 until fiber to GGAO is in place.

- Fiber to GGAO will be installed within next few weeks

GigE Performance Tests

With demonstrations of ~980 Mbps on both Pentium and Apple machines, there appears to be reasonable hope to achieve good performance over entire link. It is important to do interoperability tests between Pentium and Apple machines.

Pat mentioned he had heard of effort to put more computing power in GigE NIC cards. If anyone comes across references, please distribute.

Scheduling Issues

As soon as connection C2 is made at Millstone RPE, Haystack will coordinate with LL for use of Glownet/Bosnet.

Action Items

All: Provide a test workstation at each node and with an account for testing. See attached figures for current and suggested locations.

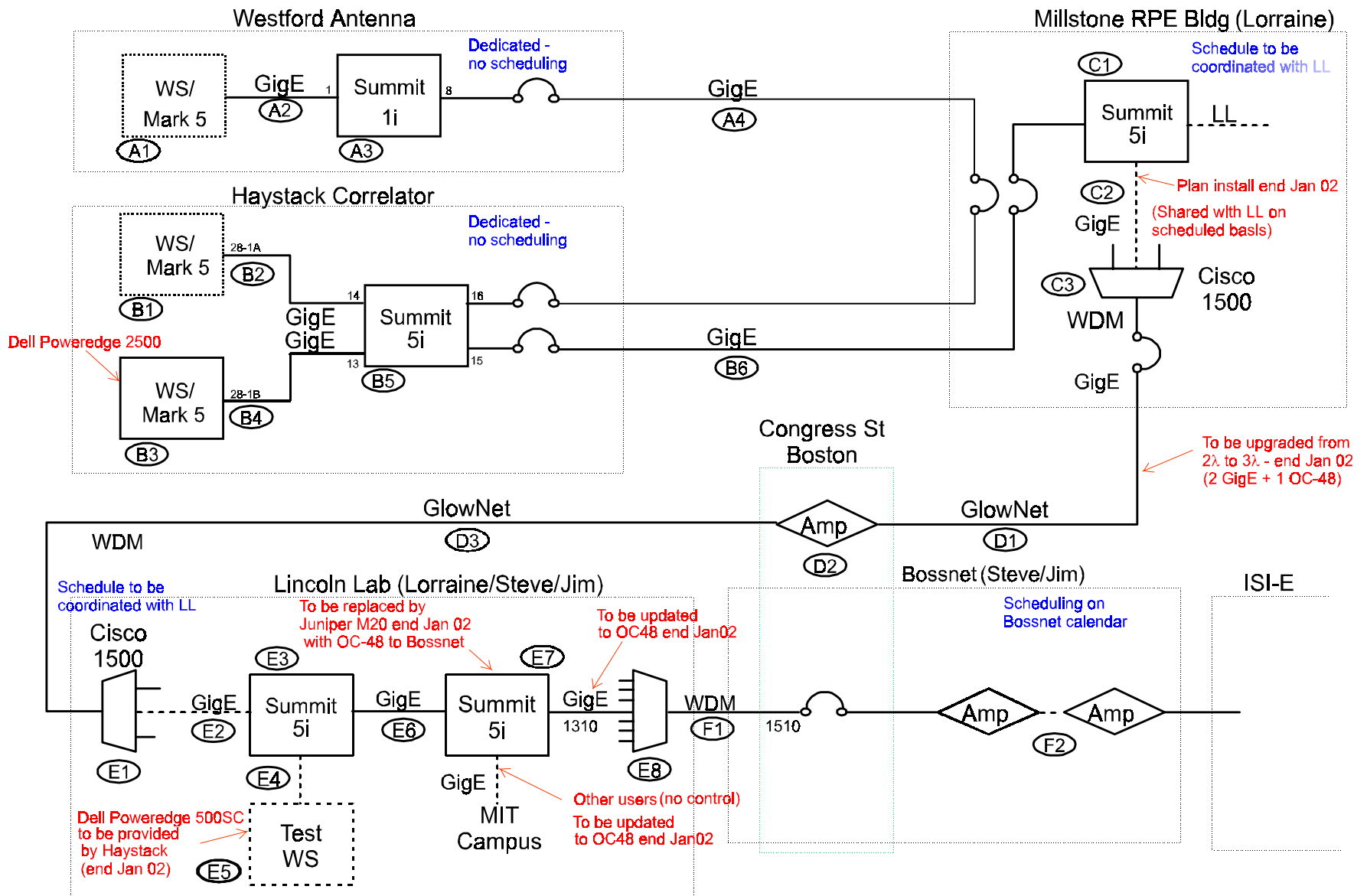
Tom (carried forward): Connectivity to USNO?

All: Continue performance testing.

Next telecon

Next telecon will be Monday, 11 February 2002 at 2 pm.

xc: Steve Bernstein, LL
Jim Calvin, LL
Lorraine Prior, LL
Leslie Weiner, LL
Herbert Durbeck, GSFC
Lee Foster, GSFC
Pat Gary, GSFC
Chuck Kodak, GSFC
Kevin Kranacs, GSFC
Paul Lang, GSFC
Aruna Muppalla, GSFC
Bill Wildes, GSFC
Dan Magorian, UMCP
Tom Lehman, ISI
Jerry Sobieski, Max
Richard Crowley, Haystack
Kevin Dudevoir, Haystack
Hans Hinteregger, Haystack
Arthur Niell, Haystack
Joe Salah, Haystack



evlbi011.cdr
23 Jan 02

Figure 1: e-VLBI Path - Haystack to ISI-E

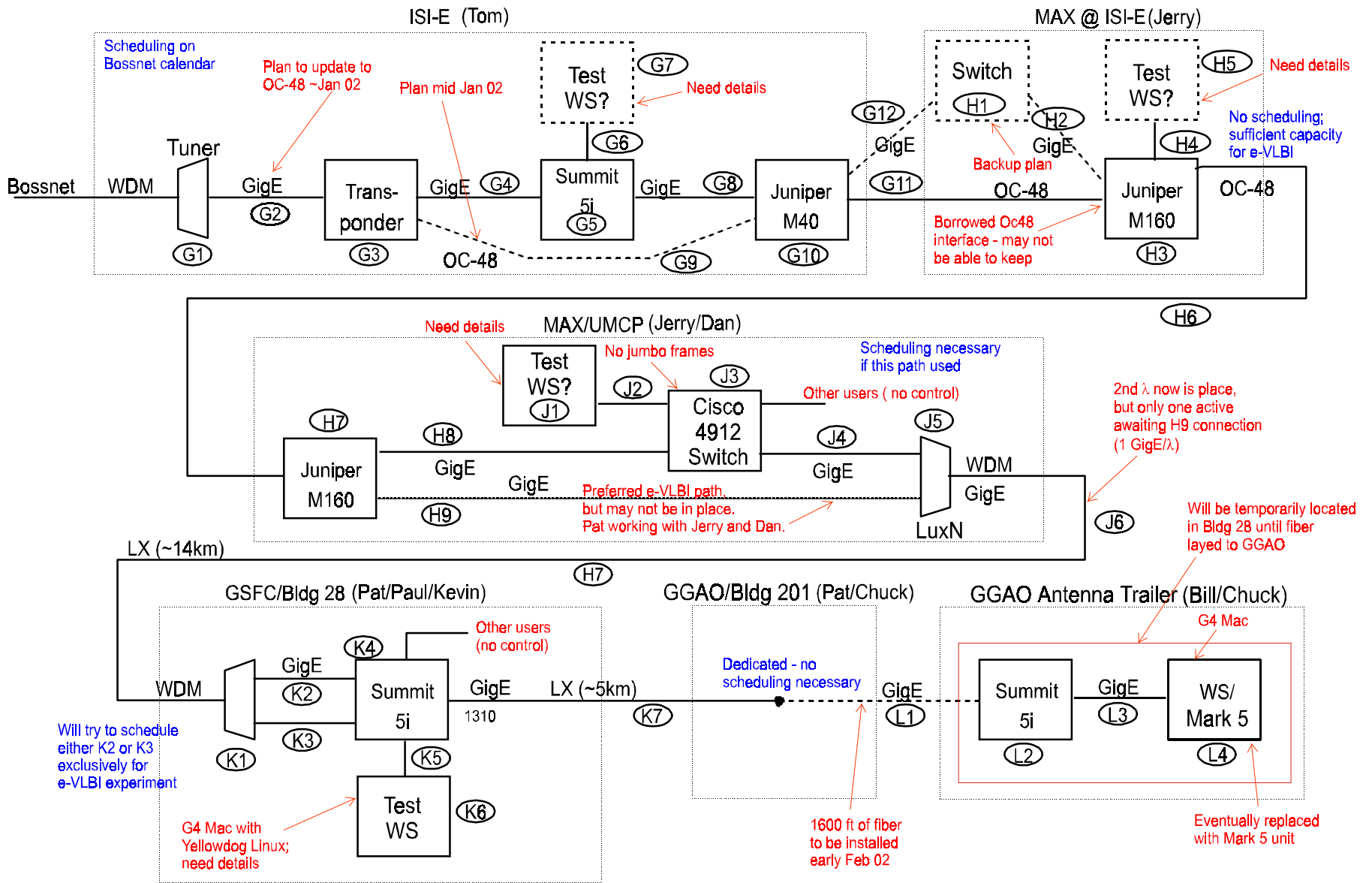


Figure 2: e-VLBI Path - ISI-E to GSFC/GGAO

evlbi012.cdr
23 Jan 02